



R e m o t e a i r v a l v e s

Individual mounting



Manifold mounting



Function	Port size	Flow (Max)	Individual mounting
4/2 - 4/3	G3/4" - G1"	9600 NI/Min	sub-base

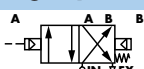
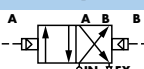
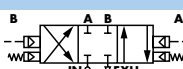
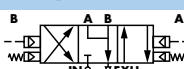

OPERATIONAL BENEFITS

1. Balanced spool, immune to variations of pressure.
2. Short stroke with high flow.
3. The piston (booster) provides maximum shifting forces.
4. Powerful return thanks to the combination of mechanical and air springs.
5. Bonded spool with minimum friction, shifting in a glass-like finished bore.
6. Wiping effect eliminates sticking.
7. Low leakage rate.



HOW TO ORDER

Reset

Port size	4/2 Single operator	4/2 Double operator	4/3 Closed centre	4/3 Open centre	4/3 Pressure centre
					
Valve less base	6612A-000-RA	6622A-000-RA	6632A-000-RA	6642A-000-RA	6652A-000-RA
Sub-base G3/4"	6612A-271-RA	6622A-281-RA	6632A-281-RA	6642A-281-RA	6652A-281-RA
Sub-base G1"	6612A-371-RA	6622A-381-RA	6632A-381-RA	6642A-381-RA	6652A-381-RA

OPTIONS

6612A-000-RA

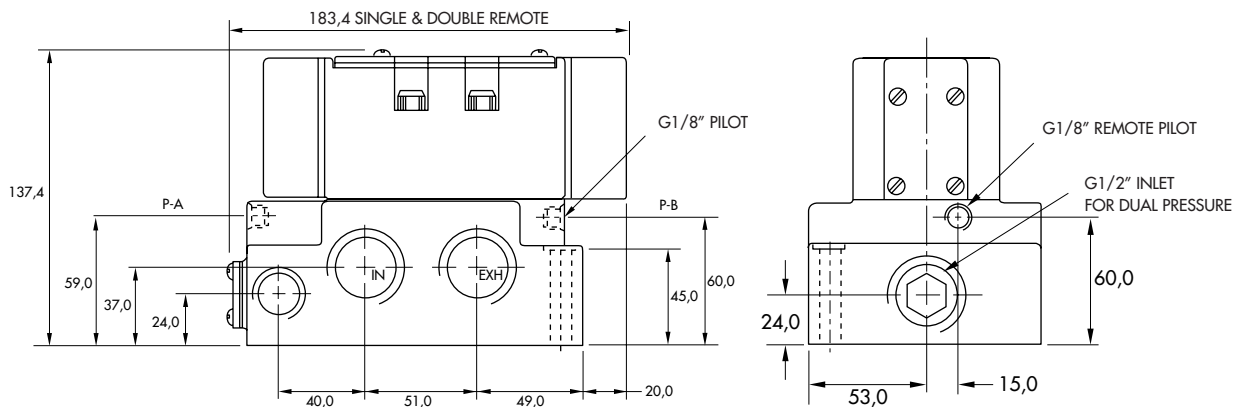
click for dual pressure valves (replace by 4).

**TECHNICAL
DATA**

Fluid :	Compressed air, vacuum, inert gases
Pressure range :	Vacuum to 10 bar
Air signal pressure :	Single operator and 3 positions : 1.8 to 10 bar \geq main valve pressure Double operator : 0.7 to 10 bar
Lubrication :	Not required, if used select a medium aniline point lubricant (between 80°C and 100°C)
Filtration :	40 μ
Temperature range :	-18°C to +50°C
Orifice :	24 mm
Flow (at 6 bar, $\Delta P=1$bar) :	G 3/4" : 9000 NI/min (C _v 9.0) - G 1" : 9600 NI/min (C _v 9.6)
Leak rate :	100 cm ³ /min

- Spare parts : • Remote air operator : R-A3004. • Pressure seal between valve and base : 16436. • Mounting screw valve to base (x4) : 35416.
- Options : • NPTF threads.

DIMENSIONS



Function	Port size	Flow (Max)	Manifold mounting
4/2 - 4/3	G3/4" - G1"	9600 NI/Min	sub-base

OPERATIONAL BENEFITS

1. Balanced spool, immune to variations of pressure.
2. Short stroke with high flow.
3. The piston (booster) provides maximum shifting forces.
4. Powerful return thanks to the combination of mechanical and air springs.
5. Bonded spool with minimum friction, shifting in a glass-like finished bore.
6. Wiping effect eliminates sticking.
7. Low leakage rate.



HOW TO ORDER

Reset

Port size	4/2 Single operator	4/2 Double operator	4/3 Closed centre	4/3 Open centre	4/3 Pressure centre
Valve less base	6612A-000-PM-M0114	6622A-000-PM-M0114	6632A-000-PM-M0114	6642A-000-PM-M0114	6652A-000-PM-M0114
Sub-base G3/4"	6612A-471-PM-M0114	6622A-481-PM-M0114	6632A-481-PM-M0114	6642A-481-PM-M0114	6652A-481-PM-M0114
Sub-base G1"	6612A-571-PM-M0114	6622A-581-PM-M0114	6632A-581-PM-M0114	6642A-581-PM-M0114	6652A-581-PM-M0114

OPTIONS

6612A-000-PM-M0114

click for dual pressure valves (excluding G 1") (replace by 4).

**TECHNICAL
DATA**

Fluid :	Compressed air, vacuum, inert gases
Pressure range :	Vacuum to 10 bar
Air signal pressure :	Single operator and 3 positions : 1.8 to 10 bar \geq main valve pressure Double operator : 0.7 to 10 bar
Lubrication :	Not required, if used select a medium aniline point lubricant (between 80°C and 100°C)
Filtration :	40 μ
Temperature range :	-18°C to +50°C
Orifice :	24 mm
Flow (at 6 bar, $\Delta P=1$ bar) :	G 3/4" : 9000 NI/min (C _v 9.0) - G 1" : 9600 NI/min (C _v 9.6)
Leak rate :	100 cm ³ /min

Spare parts : • Remote air operator : R-A3004. • Pressure seal between valve and base : 16436. • Mounting screw valve to base (x4) : 35416.
• Tie-rod (x2) : 19789. • Remote air pilot : PM-M0114.

Options : • NPTF threads.

DIMENSIONS

